

# Chain Conveyor IKDS 80

## Applications

Chain conveyor Type IKDS 80 is intended for transport of unit loads such as pallets, etc.

## Description

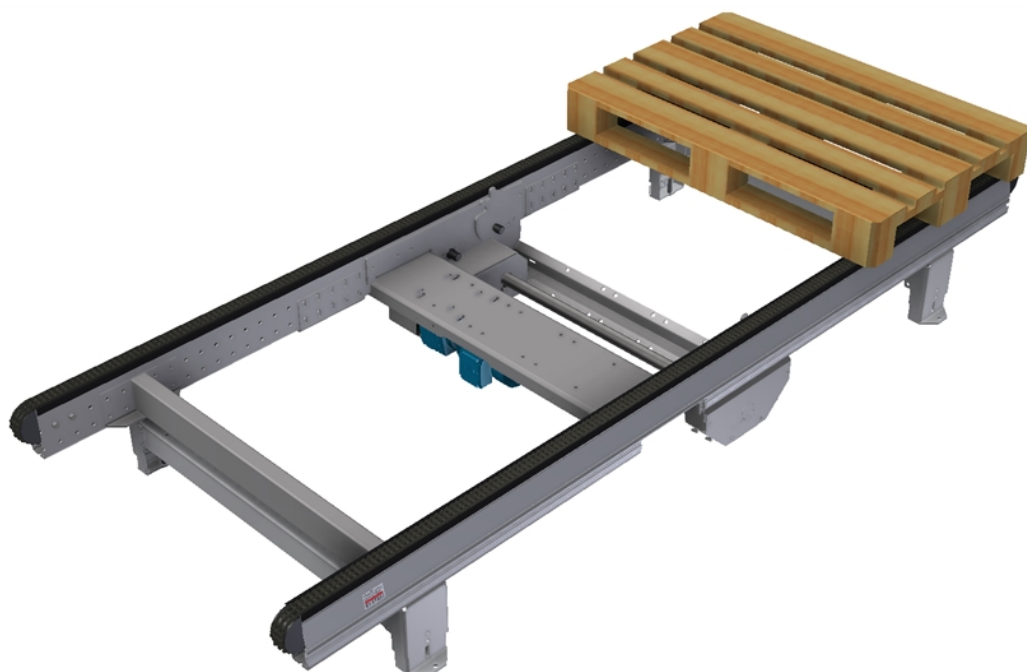
Chain conveyor, load-carrying chains glide against a low-friction type wear strip.  
Options: 2-6 strings.

## Max. load

1250 kg/m. Depends on support stand pitch.

## Order example

IKDS 80 – 1050 - 1000  
Type - C/C – TL



## Specification

	Material/Type	Finish	Order separately
Frame profile	Steel	Galvanized	
Cover cap	Aluminium	Anodized	
Chain	5/8" Duplex		
Wear strip	PEHD	Black	
Drive unit Type IKDD/IKDU 80	Steel	Zinc-plated	X
Support stand Type ITBG 80	Steel	Zinc-plated	X
Support stand pitch	No. of support stands/m: See diagram.		

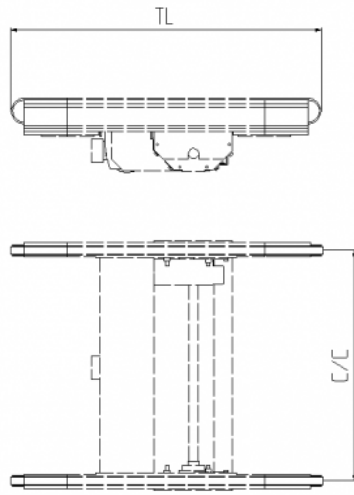
## Technical data

Centre distance	C/C	1050 mm
Total length	TL	1000 - 8000 with 200mm increments

When ordering, contact InterSystem for more information.

**INTER  
SYSTEM**

Tel: +46 431 44 91 00  
[info@intersystem.se](mailto:info@intersystem.se)  
[www.intersystem.se](http://www.intersystem.se)



Tel: +46 431 44 91 00  
[info@intersystem.se](mailto:info@intersystem.se)  
[www.intersystem.se](http://www.intersystem.se)