

Drive Unit IRUR 50

Applications

Drive unit Type IRUR 50 is intended for Driven roller conveyor bend Type IRKR 50.

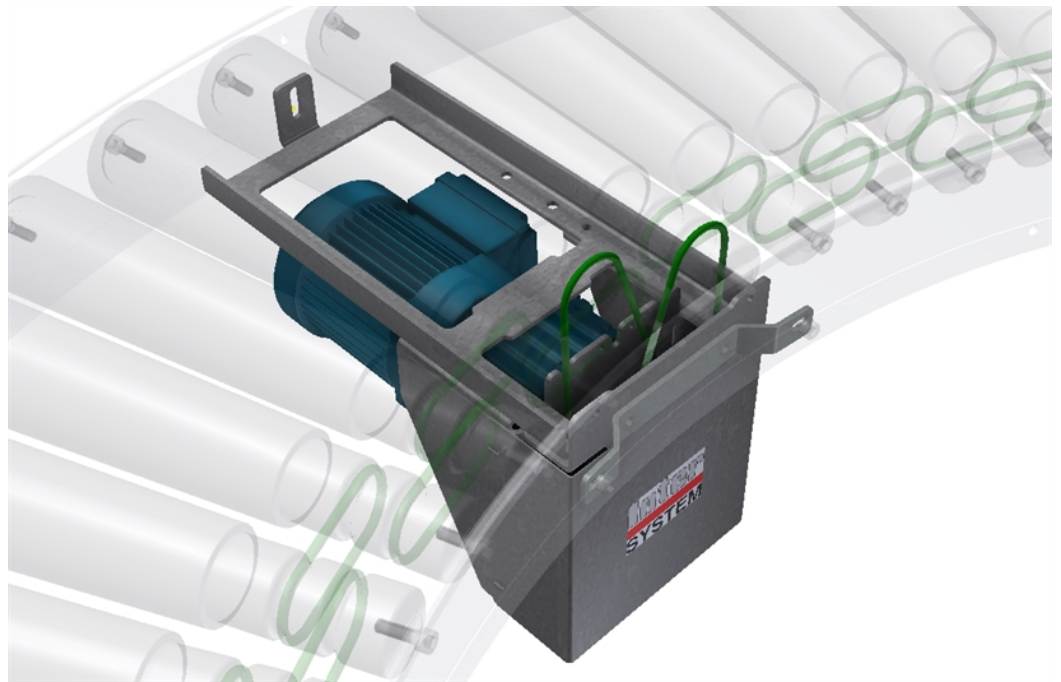
Description

Underslung drive unit for belt drive.

Order example

IRUR 50 - 01- 320

Type – EL

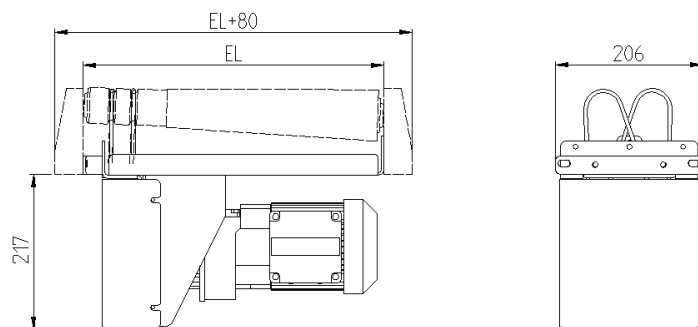


Specification

	Material/Type	Finish
Motor bracket	Steel	Zinc-plated/Anodized
Motor	SEW/Gear drive	Enamelled

Technical data

Type	Roller length EL mm	Speed v m/min	Max. load kg	Power kW	Voltage V	Amperage A
IRUR 50 - 01	320 - 620	20	40	0.25	3 x 230/400	1,27/0,73
IRUR 50 - 02	320 - 620	32	40	0.25	3 x 230/400	1,27/0,73



**INTER
SYSTEM**

Tel: +46 431 44 91 00

info@intersystem.se

www.intersystem.se