

Pallet Magazine IPSP 80-12

Applications

Pallet magazine Type IPSP 80 -12 is intended for buffering and distributing empty pallets.

Description

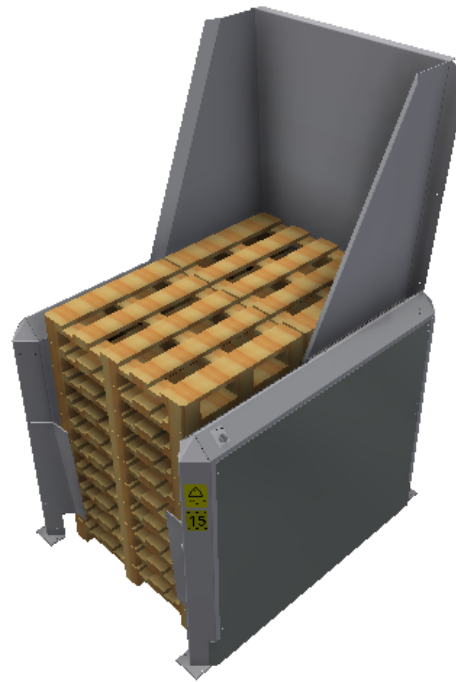
Stand in steel, the construction is designed in folded and welded sheet steel. Pneumatic lifting equipment. Supplied complete, excluding pneumatic valve.

Max. load

300kg or 15 EUR pallets or 30 "half" pallets.

Order example

IPSP 80 – 12
Type



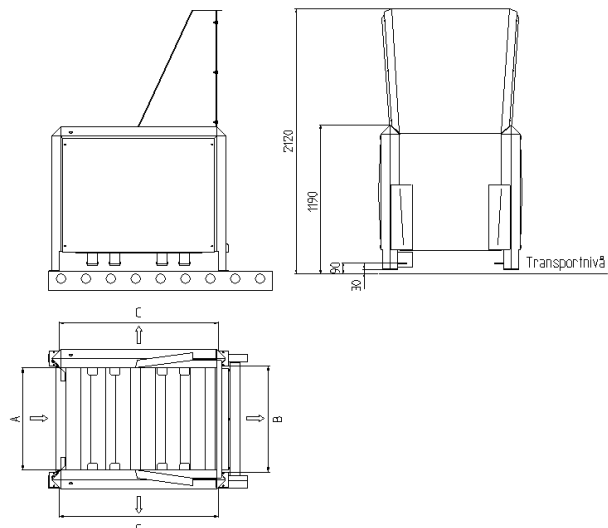
Specification

	Material/Type	Finish	Order separately
Stand	Sheet steel	Zinc-plated	
Pneumatic cyl.	Bosch Rexroth		
Pneumatic valve	Bosch Rexroth		X

Technical data

Type	Pallet format LxB mm	Infeed A mm	Outfeed B mm	Outfeed C mm	Capacity half pallet units/hr
IPSP 80 – 12	(2x600)x800	820	880	1250	500

When ordering,
contact
InterSystem for
more
information.



**INTER
SYSTEM**

Tel: +46 431 44 91 00
info@intersystem.se
www.intersystem.se