

Truck Interface IRHD 80

Applications

Collection station Type IRHD 80. For: unloading of pallets using manual truck or similar.

Description

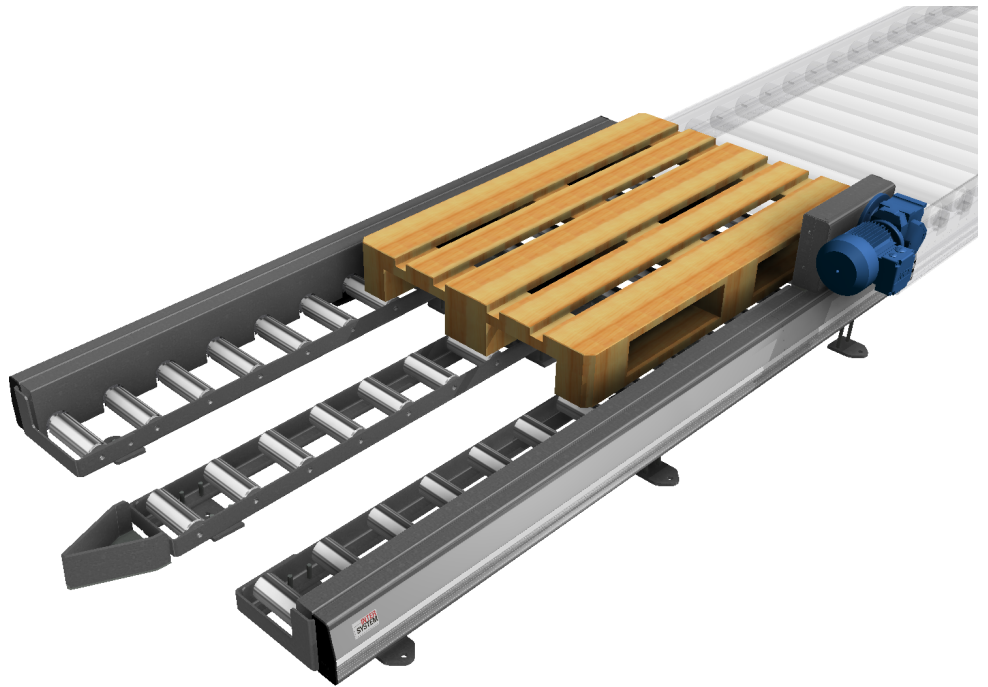
Collection station Type IRHD 80, driven roller conveyor equipped with stands.

Order example

IRHD 80 - 950
Type - EL



Tel: +46 431 44 91 00
info@intersystem.se
www.intersystem.se



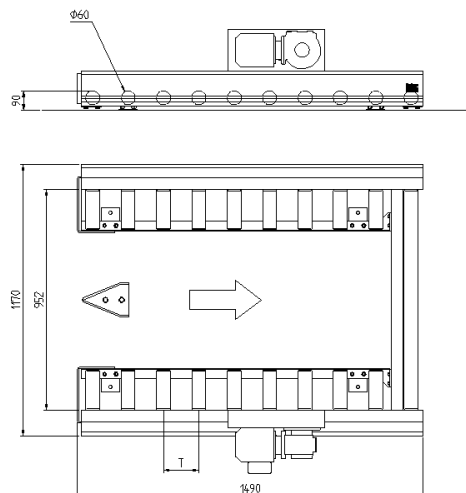
Specification

	Material/Type	Zinc-plated	Order separately
Bracket/fixings	Steel	Elförzinkad	
Inductive sensor	Sick / M18		X

Technical data

Type	Conveying height TH mm	Roller length EL mm
IRHD 80 –	90	950
IRHD 80 –	90	1150

When ordering, contact InterSystem for more information.



**INTER
SYSTEM**

Tel: +46 431 44 91 00
info@intersystem.se
www.intersystem.se