

Turning Unit CVK- HC°

Applications

Turn the unit is designed to turn products + - 90 ° when it is necessary for the pattern formation Examples of products: Box, tray, etc. reverse.

Description

Double slat belt operated at different speeds for rotation of products without stop in flow.

Max product weight

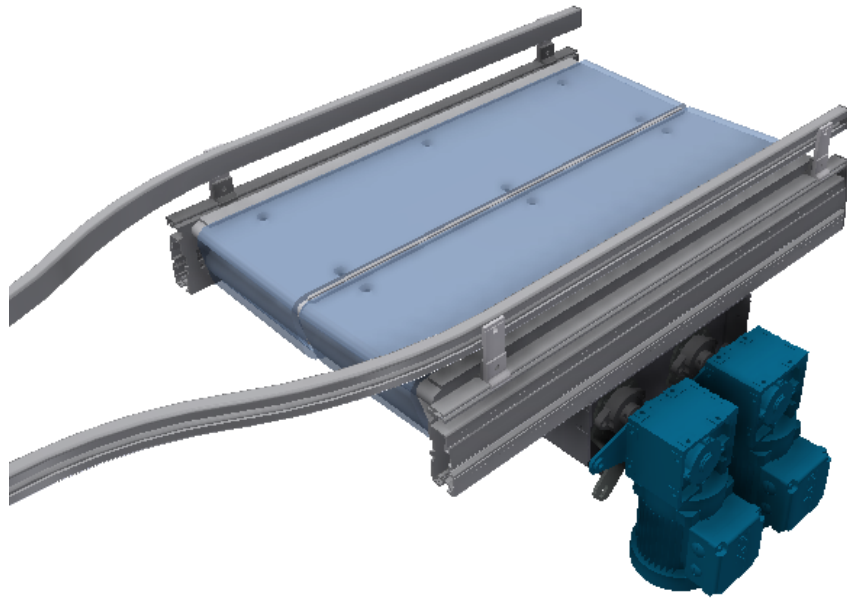
25kg

Max capacity

35 pcs 90 ° turns / minute

Order example

When ordering, contact InterSystem for more information.

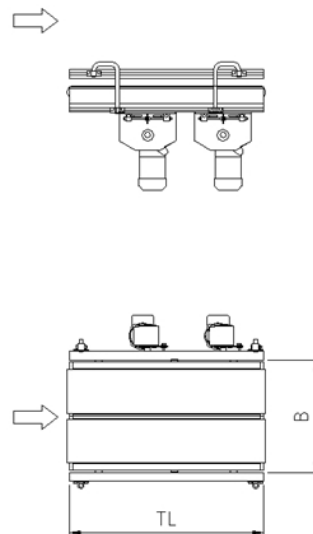


Specification

	Material/Type	Finish	Option
Frame profile	Aluminium	Anodized	
Slide bed	PEHD	Smooth	
Belt	POM	Smooth	X
Stainless			X

Teknisk data

Belt width	B	520-820
Total length	TL	1000mm
Units / min		Approx: 25-35pcs turns, depends on the size and type of product



**INTER
SYSTEM**

Tel: +46 431 44 91 00
info@intersystem.se
www.intersystem.se